

# Breezy® Relax<sup>2</sup>



**NEW POSITIONING WHEELCHAIR**  
*Durable, modern looking, and comfortable*

# NEW BREEZY® RELAX<sup>2</sup>



Adjustable seat height, seat depth, back height, length adjustable armpads and infinite recline and tilt. The Relax<sup>2</sup> can be tailored to your needs ensuring quick and easy assessment for unlimited comfort.



Infinitely reclining backrest for optimum positioning. Recline from 0° – 35°. Seat tilt from -3° – 25°.



Adjustable seat depth to accommodate developing needs. Adjustable from 16.5" – 20".



Height adjustable push handle: easy to adjust for increased carer comfort. Makes it very easy to handle.

## Configurable

- 24" solid wheels
- 16" rear wheel (only with drum brake)
- Drum brake
- Slide on tray with elbow pads
- Abduction block
- Multi adjustable trunk support
- 3 section headrest
- Positioning belt
- Trans-tibial pad
- Space out kit to widen armrests
- Shaped armrest

## Comfortable

Breezy Relax<sup>2</sup> maintains correct posture and ensures even pressure distribution. With an anatomically shaped back with lateral support for safe and comfortable seating, even with reduced upper body control. The anatomically shaped seat with slight abduction and lateral support provides comfortable seating for long periods. The abduction and side support keep legs in a good position to prevent sliding forward.



Slide on tray with elbow pads (option)



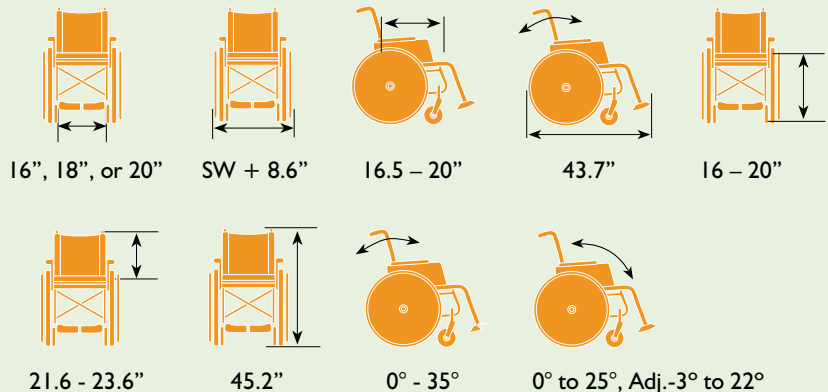
3 section adjustable and removable headrest with lateral adjustment (option)



Multi adjustable trunk support (option). Easy to handle

## Specifications

Frame colour:	silver
Upholstery colour:	dark grey
Approved user weight:	285 lbs.
Weight of heaviest part:	39 lbs.
Tilt Range:	0° to 25°, Adj.-3° to 22°
Max safe slope (with anti-tips)	10°
Max turning radius:	37.8"
Transit tested to ISO 7176 Part 19 and passed	Yes



All information is subject to change without notification.  
©2012 Sunrise Medical Canada Inc. RELAX2 EN CA Rev. A



Sunrise Medical Canada Inc.

[www.SunriseMedical.ca](http://www.SunriseMedical.ca)

Concord, ON: +1.905.660.2459 or +1.800.263.3390 (Toll Free)

Maple Ridge, BC: +1.604.460.1569 or +1.888.285.2488 (Toll Free)